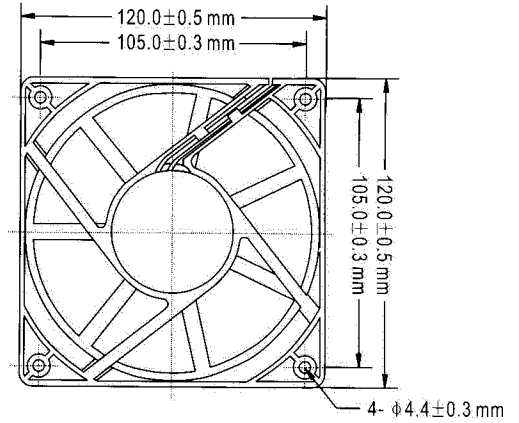
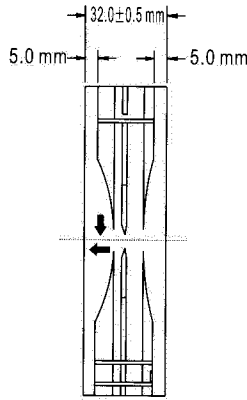
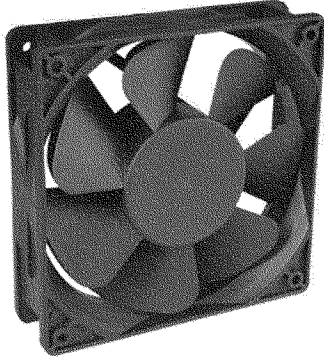


120x120x32 mm

OwikFlow
Series



SPECIFICATION: Brushless DC Fans

120×120×32mm (B Housing Type)

Fan Size L×W×T mm	Bearing System	Listed Model	Housing Type	Rated Voltage VDC	Startup Voltage VDC	Current A	Speed RPM	Air Flow CFM	Static Pressure mmH ₂ O	Noise Level dBA	Motor Protection					Weight Gram	Packing	
											Resistance Protected	Auto Start	Thermal SpeedControl	Alarm Output	Tachometer Output		Qty./Ctn purchase	G.W./Ctn Kgs
120 × 120 × 32	Sleeve	RDH1232S	B	12	6.0	0.60	3750	121.42	10.10	49.80	●	●	●	●	●	250	40	11.0
		RDM1232S									●	●	●	●	●			
		RDL1232S									●	●	●	●	●			
	Ball	RDH1232B									●	●	●	●	●			
		RDM1232B									●	●	●	●	●			
		RDL1232B									●	●	●	●	●			
120 × 120 × 32	Sleeve	RDH1232S	B	24	12.0	0.45	3750	121.42	10.10	49.80	●	●	●	●	●	250	40	11.0
		RDM1232S									●	●	●	●	●			
		RDL1232S									●	●	●	●	●			
	Ball	RDH1232B									●	●	●	●	●			
		RDM1232B									●	●	●	●	●			
		RDL1232B									●	●	●	●	●			
120 × 120 × 32	Sleeve	RDH1232S	B	48	24.0	0.23	3750	121.42	10.10	49.80	●	●	●	●	●	250	40	11.0
		RDM1232S									●	●	●	●	●			
		RDL1232S									●	●	●	●	●			
	Ball	RDH1232B									●	●	●	●	●			
		RDM1232B									●	●	●	●	●			
		RDL1232B									●	●	●	●	●			

SAFETY APPROVALS

	CE	UL/CUL	TUV	VDE
12V	●	●	●	
24V	●	●	●	●
48V	●	●	●	

DC 120×120×32mm

