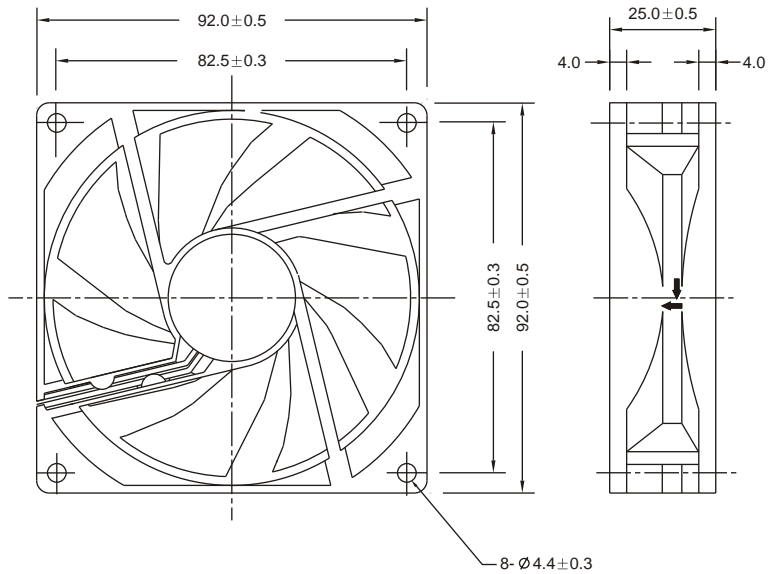


92x92x25mm



Listed Model	Bearing System	Housing Type	Rated Voltage	Startup Voltage	Rated Current	Speed	Air Flow	Air Flow	Static Pressure	Noise Level	Motor Protection					Weight Gram	Packing	
			VDC	VDC	A	RPM	CFM	CMM	mmH ₂ O	dBA	Resistance Protected	Auto Start	Thermal Speed Control	Alarm Output	Tachometer Output		Qty./Ctn Purchase	G.W./Ctn Kgs
RDH9025S	Sleeve	H	12	6.0	0.23	2800	54.63	1.547	3.34	32.96	•	•	•	•	•	85	100	10.2
RDM9025S				6.0	0.19	2500	48.17	1.364	2.65	29.98	•	•	•	•	•			
RDL9025S				6.0	0.16	2000	39.00	1.104	1.76	24.58	•	•	•	•	•			
RDH9025B	Ball			6.0	0.23	2800	54.63	1.547	3.34	32.96	•	•	•	•	•			
RDM9025B				6.0	0.19	2500	48.17	1.364	2.65	29.98	•	•	•	•	•			
RDL9025B				6.0	0.16	2000	39.00	1.104	1.76	24.58	•	•	•	•	•			
RDH9025S2	Sleeve	H	24	12.0	0.22	2800	55.73	1.578	3.19	34.50	•	•	•	•	•	85	100	10.2
RDM9025S2				12.0	0.18	2500	49.65	1.406	2.78	30.90	•	•	•	•	•			
RDL9025S2				12.0	0.15	2000	40.54	1.148	1.85	25.24	•	•	•	•	•			
RDH9025B2	Ball			12.0	0.22	2800	55.73	1.578	3.19	34.50	•	•	•	•	•			
RDM9025B2				12.0	0.18	2500	49.65	1.406	2.78	30.39	•	•	•	•	•			
RDL9025B2				12.0	0.15	2000	40.54	1.148	1.85	25.24	•	•	•	•	•			

SAFETY APPROVALS (安規認證)

	CE	UL	CUL	TUV	CSA	VDE
12V	•	•	•	•	•	
24V	•	•	•	•		•

