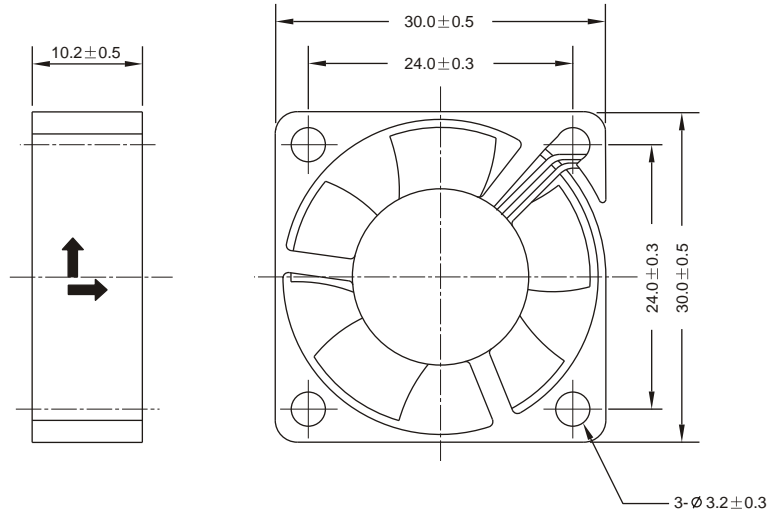


30x30x10mm



Listed Model	Bearing System	Housing Type	Rated Voltage	Startup Voltage	Rated Current	Speed	Air Flow	Air Flow	Static Pressure	Noise Level	Motor Protection					Weight Gram	Packing	
			VDC	VDC	A	RPM	CFM	CMM	mmH ₂ O	dBA	Resistance Protected	Auto Start	Thermal Speed Control	Alarm Output	Tachometer Output		Qty./Ctn Purchase	G.W./Ctn Kgs
RDH3010S5	Sleeve	B	5	3.5	0.20	11000	4.47	0.135	4.46	30.05	•	•			•	8.5	600	5.9
RDM3010S5				3.5	0.14	9000	3.43	0.097	2.70	24.10	•	•			•			
RDL3010S5				3.5	0.12	7000	2.63	0.069	1.71	21.24	•	•			•			
RDH3010B5	Ball			3.5	0.20	11000	4.47	0.134	4.46	30.05	•	•			•			
RDM3010B5				3.5	0.14	9000	3.34	0.097	2.70	24.10	•	•			•			
RDL3010B5				3.5	0.12	7000	2.63	0.069	1.71	21.24	•	•			•			
RDH3010S	Sleeve	12	12	6.0	0.10	11000	4.47	0.135	4.46	30.05	•	•			•			
RDM3010S				6.0	0.09	9000	3.43	0.097	2.70	24.10	•	•			•			
RDL3010S				6.0	0.06	7000	2.63	0.069	1.71	21.24	•	•			•			
RDH3010B	Ball			6.0	0.10	11000	4.47	0.135	4.46	30.05	•	•			•			
RDM3010B				6.0	0.09	9000	3.43	0.097	2.70	24.10	•	•			•			
RDL3010B				6.0	0.06	7000	2.63	0.689	1.71	21.24	•	•			•			

SAFETY APPROVALS (安規認證)

	CE	UL	CUL	TUV
5V	•	•	•	•
12V	•	•	•	•

