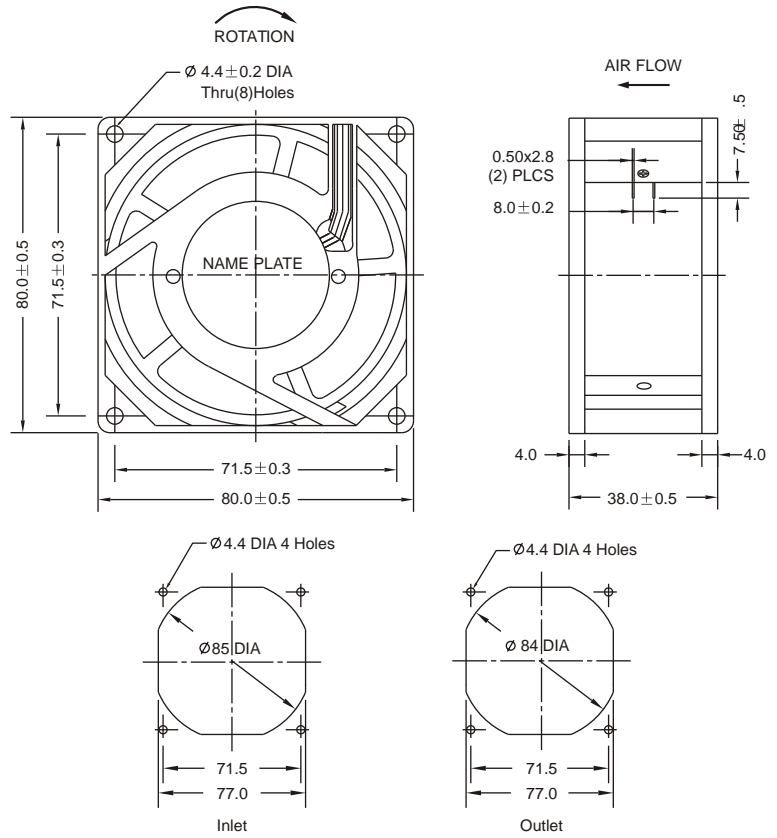


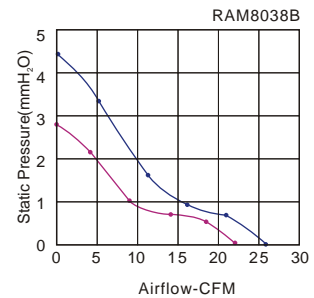
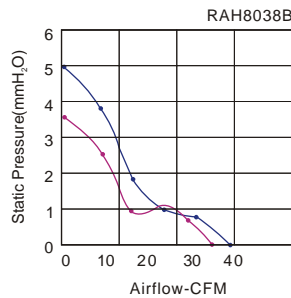
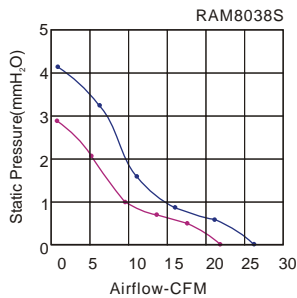
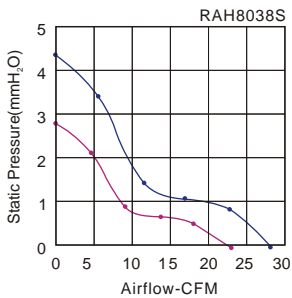
AC 8038 SERIES AXIAL FAN



Size: 80mmx80mmx38mm  
 Airflow: 36~49m<sup>3</sup>/hr  
 21~29CFM  
 Weight: 340g  
 Noise: 24~34dBA  
 Impeller: PBT UL94V-0 Reinforced Plastic  
 Frame: Aluminum Alloy  
 Terminals: 0.5mm  
 Lead Wire: AWG#22 UL 1007  
 (Optional)  
 Motor: Shaded Pole Induction Motor  
 Safety: UL.CUL.TUV.CE  
 Operation Temperature: -10°C~+65°C

Unit:mm

Model	Bearing System	Voltage VAC	Freq. Hz	Current A	Power W	Speed RPM	Noise dBA	Air Flow		Static Pressure (mmH <sub>2</sub> O)	Weight Gram
								M <sup>3</sup> /hr	CFM		
RAH8038S1	Sleeve	220~240	50/60	0.08	14/10	2400/2900	27/32	39/48	23/28	2.9/4.5	340
RAM8038S1		220~240	50/60	0.06	7/6	2300/2700	26/30	36/44	21/26	2.7/4.2	
RAH8038S2		100~125	50/60	0.20	16/12	2400/2900	27/32	39/48	23/28	2.9/4.5	
RAM8038S2		100~125	50/60	0.10	9/7	2300/2700	26/30	36/44	21/26	2.7/4.2	
RAH8038B1	Ball	220~240	50/60	0.08	14/10	2700/3000	28/34	44/49	26/29	3.7/5.0	
RAM8038B1		220~240	50/60	0.06	7/6	2300/2700	26/30	37/44	22/26	2.8/4.5	
RAH8038B2		100~125	50/60	0.20	16/12	2700/3000	28/34	44/49	26/29	3.7/5.0	
RAM8038B2		100~125	50/60	0.10	9/7	2300/2700	26/30	37/44	22/26	2.8/4.5	



Key  
 — 60Hz  
 — 50Hz