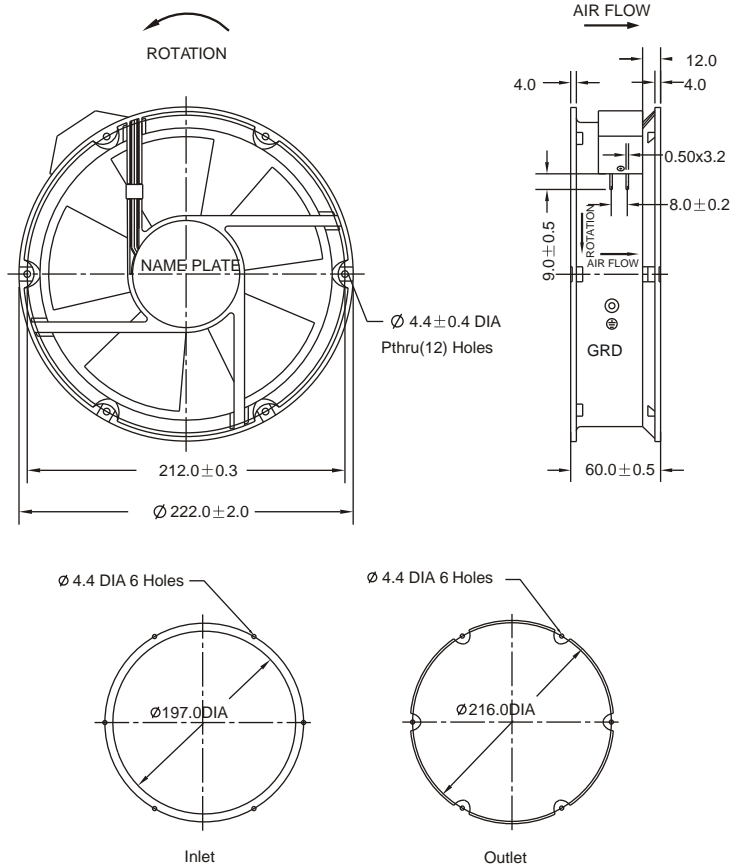


AC 2260 SERIES AXIAL FAN (High Air Flow)



Size:  $\varnothing 222\text{mm} \times 60\text{mm}$   
 Airflow: 730 ~ 824 m<sup>3</sup>/hr  
 430 ~ 485 CFM  
 Weight: 1540g  
 Noise: 59 ~ 62 dBA  
 Impeller: PA6 UL94V-0 Reinforced Plastic  
 Frame: Aluminum Alloy  
 Terminals: 0.5mm  
 Lead Wire: AWG#22 UL 1015  
 (Optional)  
 Motor: Capacitor-Run Induction Motor  
 Safety: UL.CUL.TUV.CE  
 Operation Temperature: -10°C ~ +60 °C



Unit:mm

Model	Bearing System	Voltage VAC	Freq. Hz	Current A	Power W	Speed RPM	Noise dBA	Air Flow		Static Pressure (mmH <sub>2</sub> O)	Weight Gram
								M <sup>3</sup> /hr	CFM		
RAH2260B1-C	Ball	220~240	50/60	0.25/0.26	50/60	2800/3200	59/62	730/824	430/485	24/18	1540
RAH2260B2-C		100~125	50/60	0.42/0.46	50/56	2800/3200	59/62	730/824	430/485	24/18	

