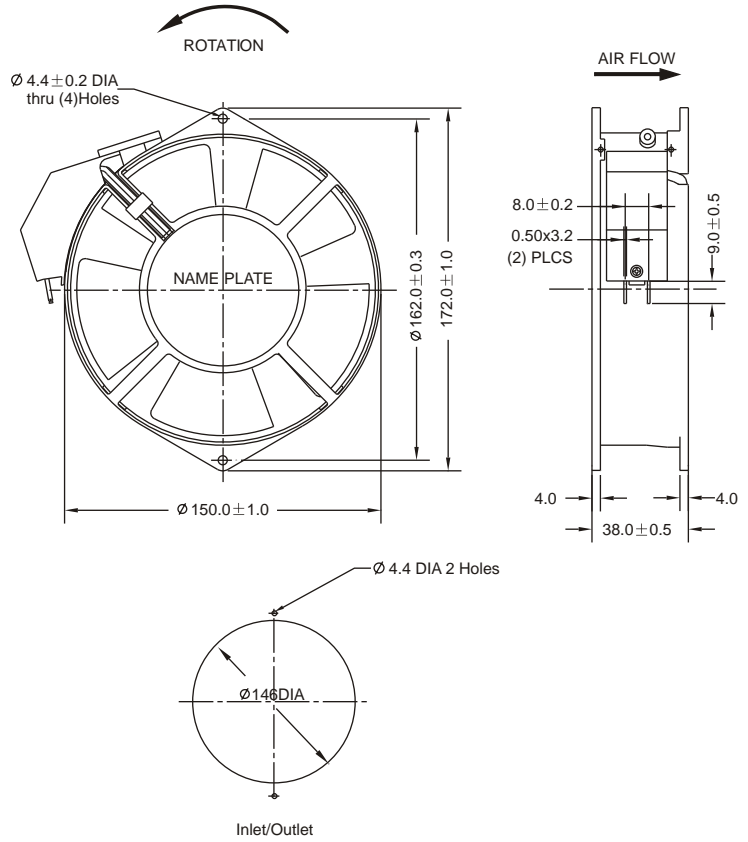


AC 1538 SERIES AXIAL FAN (High Air Flow)



Size: 162mmx150mmx38mm
 Airflow: 282 ~ 336m³/hr
 166 ~ 198CFM
 Weight: 710g
 Noise: 57 ~ 61dBA
 Impeller: PA6 UL94V-0 Reinforced Plastic
 Frame: Aluminum Alloy
 Terminals: 0.5mm
 Lead Wire: AWG#22 UL 1015
 (Optional)
 Motor: Capacitor-Run Induction Motor
 Safety: UL.CUL.TUV.CE
 Operation Temperature: -10°C ~ +70°C

Unit:mm

Model	Bearing System	Voltage VAC	Freq. Hz	Current A	Power W	Speed RPM	Noise dBA	Air Flow		Static Pressure (mmH ₂ O)	Weight Gram
								M ³ /hr	CFM		
RAH1538B1-C	Ball	220~240	50/60	0.16/0.17	36/35	2850/3400	57/61	282/336	166/198	16.7/19.5	710
RAH1538B2-C		100~125	50/60	0.25/0.26	30/31	2850/3400	57/61	282/336	166/198	16.7/19.5	

