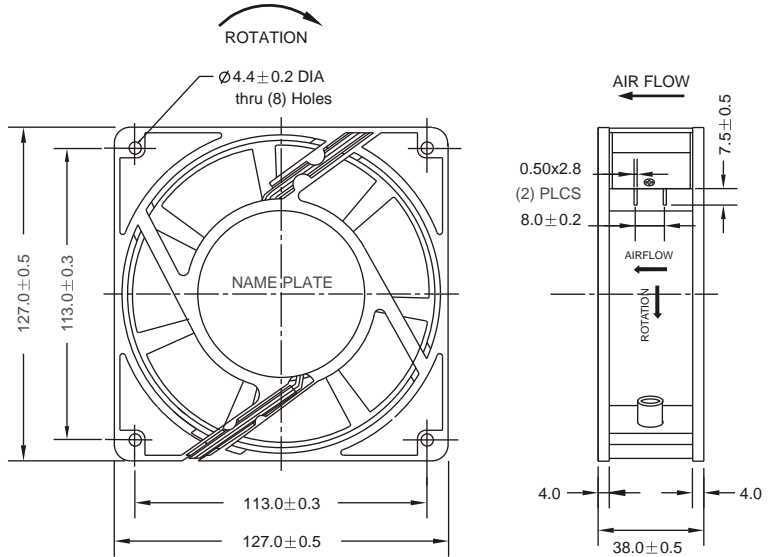
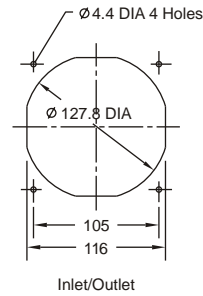


AC 1278 SERIES AXIAL FAN (High Air Flow)

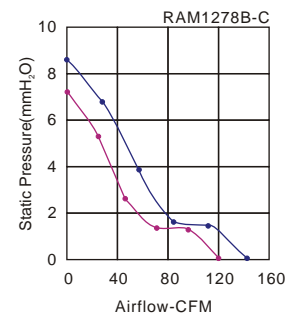
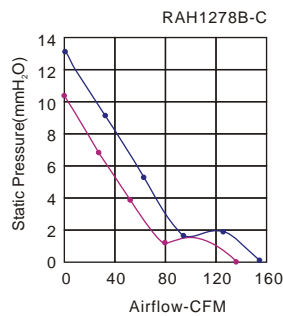
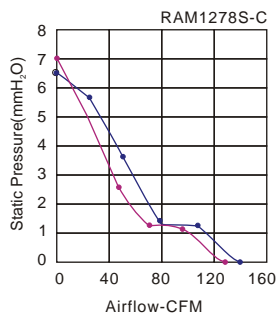
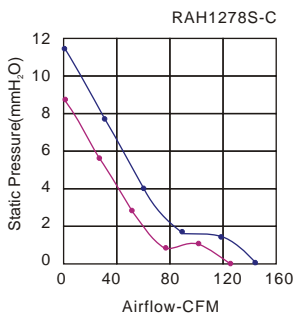


Size: 127mmx127mmx38mm
 Airflow: 199~257m³/hr
 117~151CFM
 Weight: 520g
 Noise: 42~49dBA
 Impeller: PA6 UL94V-0 Reinforced Plastic
 Frame: Aluminum Alloy
 Terminals: 0.5mm
 Lead Wire: AWG#22 UL 1007
 (Optional)
 Motor: Capacitor-Run Induction Motor
 Safety: UL.CUL.TUV.CE
 Operaton Temperature: -10°C~+60°C



Unit:mm

| Model | Bearing System | Voltage VAC | Freq. Hz | Current A | Power W | Speed RPM | Noise dBA | Air Flow | | Static Pressure (mmH ₂ O) | Weight Gram |
|-------------|----------------|-------------|----------|-----------|---------|-----------|-----------|--------------------|---------|--------------------------------------|-------------|
| | | | | | | | | M ³ /hr | CFM | | |
| RAH1278S1-C | Sleeve | 220~240 | 50/60 | 0.12/0.12 | 25/25 | 2600/3050 | 43/47 | 206/243 | 121/143 | 8.8/11.4 | 520 |
| RAM1278S1-C | | 220~240 | 50/60 | 0.09/0.09 | 20/20 | 2500/2750 | 42/45 | 199/221 | 117/130 | 7.1/6.6 | |
| RAH1278S2-C | | 100~125 | 50/60 | 0.21/0.21 | 25/25 | 2600/3050 | 43/47 | 206/243 | 121/143 | 8.8/11.4 | |
| RAM1278S2-C | | 100~125 | 50/60 | 0.16/0.16 | 20/20 | 2500/2750 | 42/45 | 199/221 | 117/130 | 7.1/6.6 | |
| RAH1278B1-C | Ball | 220~240 | 50/60 | 0.12/0.12 | 25/25 | 2800/3300 | 45/49 | 224/257 | 132/151 | 10.3/13.0 | |
| RAM1278B1-C | | 220~240 | 50/60 | 0.09/0.09 | 20/20 | 2500/2900 | 42/46 | 199/233 | 117/137 | 7.1/8.6 | |
| RAH1278B2-C | | 100~125 | 50/60 | 0.21/0.21 | 25/25 | 2800/3300 | 45/49 | 224/257 | 132/151 | 10.3/13.0 | |
| RAM1278B2-C | | 100~125 | 50/60 | 0.16/0.16 | 20/20 | 2500/2900 | 42/46 | 199/221 | 117/137 | 7.1/8.6 | |



Key
 — 60Hz
 — 50Hz