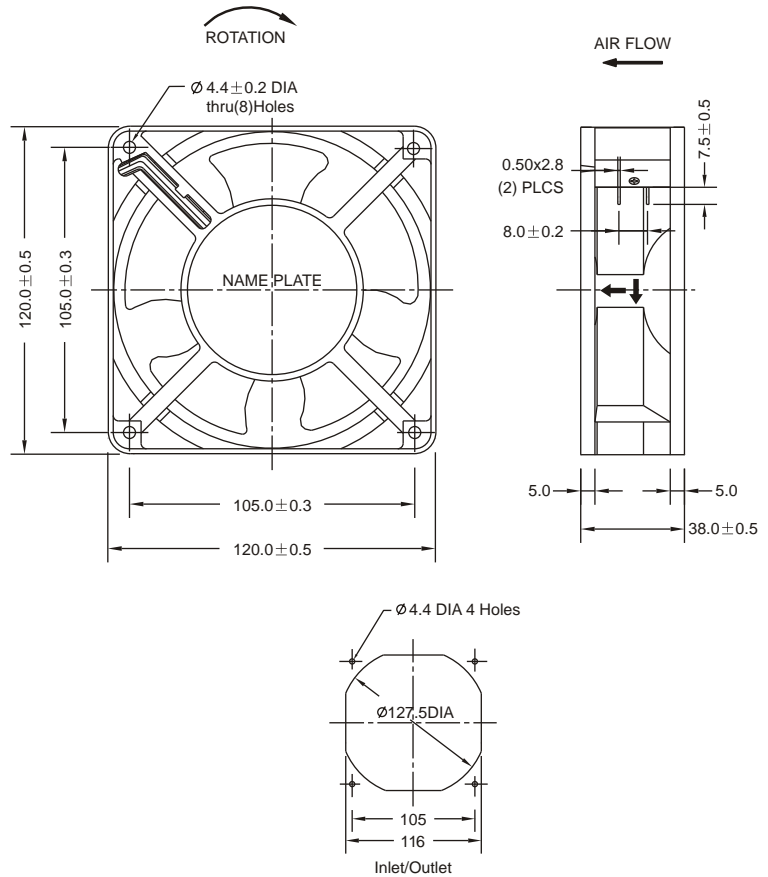


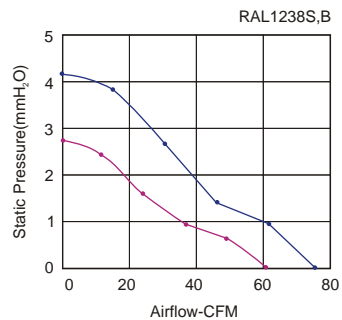
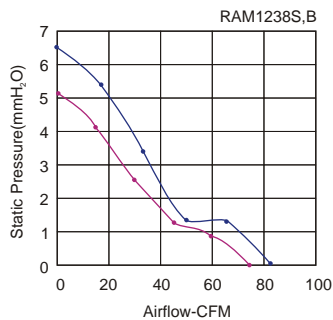
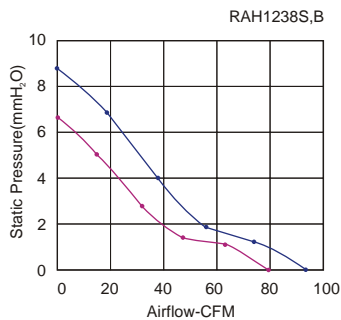
AC 1238 SERIES AXIAL FAN



Size: 120mmx120mmx38mm  
 Airflow: 104~160m<sup>3</sup>/hr  
 61~94CFM  
 Weight: 450g  
 Noise: 36~44dBA  
 Impeller: PBT UL94V-0 Reinforced Plastic  
 Frame: PBT UL94V-0 Reinforced Plastic  
 Terminals: 0.5mm  
 Lead Wire: AWG#22 UL 1007  
 (Optional)  
 Motor: Shaded Pole Induction Motor  
 Safety: UL.CUL.TUV.CE  
 Operation Temperature: -10°C~+50°C

Unit:mm

Model	Bearing System	Voltage VAC	Freq. Hz	Current A	Power W	Speed RPM	Noise dBA	Air Flow		Static Pressure (mmH <sub>2</sub> O)	Weight Gram
								M <sup>3</sup> /hr	CFM		
RAH1238S1(P5B)	Sleeve	220~240	50/60	0.20	23/20	2600/3000	42/44	134/160	79/94	6.8/8.8	450
RAM1238S1(P5B)		220~240	50/60	0.16	15/14	2400/2700	40/43	127/141	75/83	5.2/6.5	
RAL1238S1(P5B)		220~240	50/60	0.10	10/9	2000/2400	36/40	104/127	61/75	2.8/4.2	
RAH1238S2(P5B)		100~125	50/60	0.30	23/20	2600/3000	42/44	134/160	79/94	6.8/8.8	
RAM1238S2(P5B)		100~125	50/60	0.25	15/14	2400/2700	40/43	127/141	75/83	5.2/6.5	
RAL1238S2(P5B)		100~125	50/60	0.20	10/9	2000/2400	36/40	104/127	61/75	2.8/4.2	
RAH1238B1(P5B)	Ball	220~240	50/60	0.20	23/20	2600/3000	42/44	134/160	79/94	6.8/8.8	
RAM1238B1(P5B)		220~240	50/60	0.16	15/14	2400/2700	40/43	127/141	75/83	5.2/6.5	
RAL1238B1(P5B)		220~240	50/60	0.10	10/9	2000/2400	36/40	104/127	61/75	2.8/4.2	
RAH1238B2(P5B)		100~125	50/60	0.30	23/20	2600/3000	42/44	134/160	79/94	6.8/8.8	
RAM1238B2(P5B)		100~125	50/60	0.25	15/14	2400/2700	40/43	127/141	75/83	5.2/6.5	
RAL1238B2(P5B)		100~125	50/60	0.20	10/9	2000/2400	36/40	104/127	61/75	2.8/4.2	



Key  
 — 60Hz  
 — 50Hz