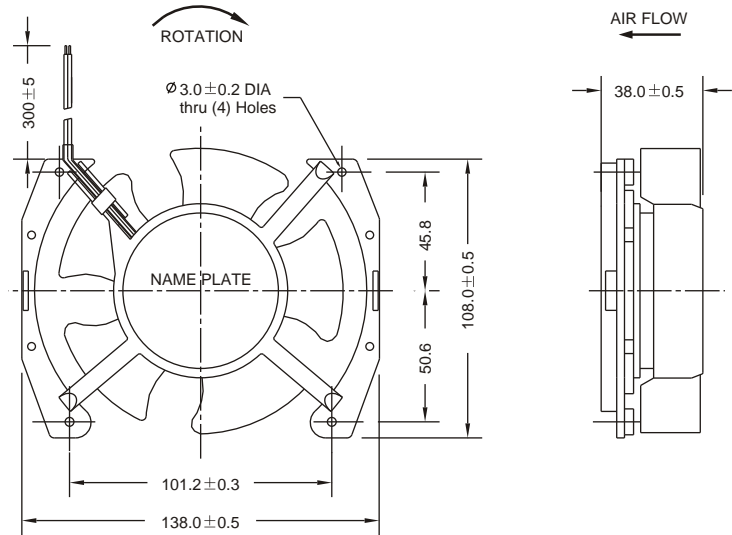


## AC 1238 SERIES AXIAL FAN

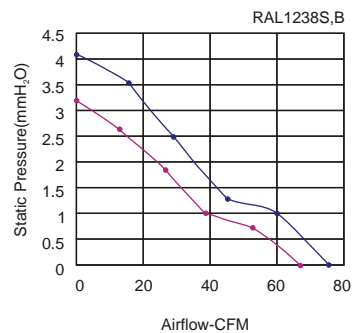
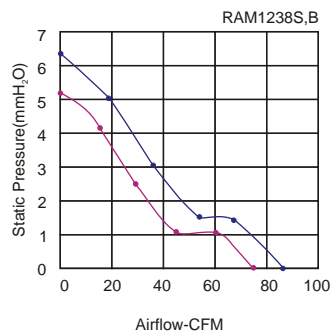
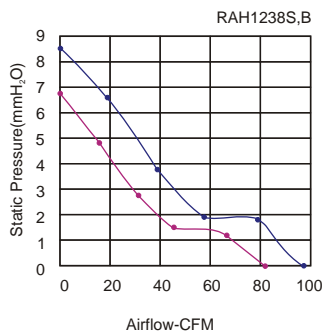


Size: 130mmx108mmx38mm  
 Airflow: 114~163m<sup>3</sup>/hr  
 67~96CFM  
 Weight: 420g  
 Noise: 35~45dBA  
 Impeller: PBT UL94V-0 Reinforced Plastic  
 Frame: Aluminum Alloy  
 Terminals: 0.5mm  
 Lead Wire: AWG#22 UL 1007  
 (Optional)  
 Motor: Shaded Pole Induction Motor  
 Safety: UL.CUL.TUV.CE  
 Operation Temperature: -10°C~+70°C



Unit:mm

Model	Bearing System	Voltage VAC	Freq. Hz	Current A	Power W	Speed RPM	Noise dBA	Air Flow		Static Pressure (mmH <sub>2</sub> O)	Weight Gram
								M <sup>3</sup> /hr	CFM		
RAH1238S1(5C)	Sleeve	220~240	50/60	0.20	23/20	2600/3000	40/43	139/163	82/96	6.8/8.5	420
RAM1238S1(5C)		220~240	50/60	0.16	15/14	2400/2700	39/42	127/144	75/85	5.3/6.3	
RAL1238S1(5C)		220~240	50/60	0.10	10/9	2100/2400	35/39	114/127	67/75	3.1/4.1	
RAH1238S2(5C)		100~125	50/60	0.30	23/20	2600/3000	40/43	139/163	82/96	6.8/8.5	
RAM1238S2(5C)		100~125	50/60	0.25	15/14	2400/2700	39/42	127/144	75/85	5.3/6.3	
RAL1238S2(5C)		100~125	50/60	0.20	10/9	2100/2400	35/39	114/127	67/75	3.1/4.1	
RAH1238B1(5C)	Ball	220~240	50/60	0.20	23/20	2600/3000	41/44	139/163	82/96	6.8/8.5	
RAM1238B1(5C)		220~240	50/60	0.16	15/14	2400/2700	39/42	127/144	75/85	5.3/6.3	
RAL1238B1(5C)		220~240	50/60	0.10	10/9	2100/2400	35/39	114/127	67/75	3.1/4.1	
RAH1238B2(5C)		100~125	50/60	0.30	23/20	2600/3000	41/44	139/163	82/96	6.8/8.5	
RAM1238B2(5C)		100~125	50/60	0.25	15/14	2400/2700	39/42	127/144	75/85	5.3/6.3	
RAL1238B2(5C)		100~125	50/60	0.20	10/9	2100/2400	35/39	114/127	67/75	3.1/4.1	



Key  
 — 60Hz  
 — 50Hz