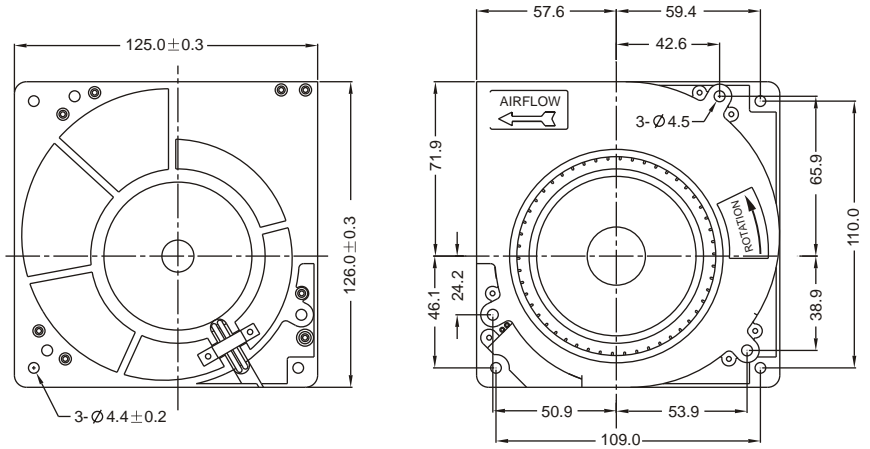
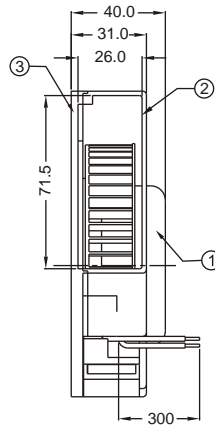


AC 1231 SERIES BLOWER



- Size: 125mmx126mmx40mm
- Airflow: 63~73m<sup>3</sup>/hr  
37~43CFM
- Weight: (①PA6)620g; (②ALUMINIUM) 668g
- Noise: 54~57dBA
- Impeller: ①PA6 UL94V-0 Reinforced Plastic
- Frame: ②PA6 UL94V-0 Reinforced Plastic or Aluminum Alloy  
③Aluminum Alloy
- Lead Wire: AWG#24 UL 3266  
(Optional)
- Motor: Capacitor-Run Induction Motor
- Safety: UL.CUL.TUV.CE
- Operation Temperature: -10°C~+70°C



Unit:mm

Model	Bearing System	Voltage VAC	Freq. Hz	Current A	Power W	Speed RPM	Noise dBA	Air Flow		Static Pressure (mmH <sub>2</sub> O)	Weight Gram
								M <sup>3</sup> /hr	CFM		
RCH1231S1-C	Sleeve	220~240	50/60	0.13/0.13	27/28	2600/3000	54/57	63/71	37/42	15.4/22	620
RCH1231S2-C		110~125	50/60	0.27/0.25	27/28	2600/3000	54/57	63/71	37/42	15.4/22	
RCH1231B1-C	Ball	220~240	50/60	0.13/0.13	26/27	2750/3050	55/57	68/73	40/43	15.8/22.6	
RCH1231B2-C		100~125	50/60	0.27/0.29	26/27	2750/3050	55/57	68/73	40/43	15.8/22.6	

