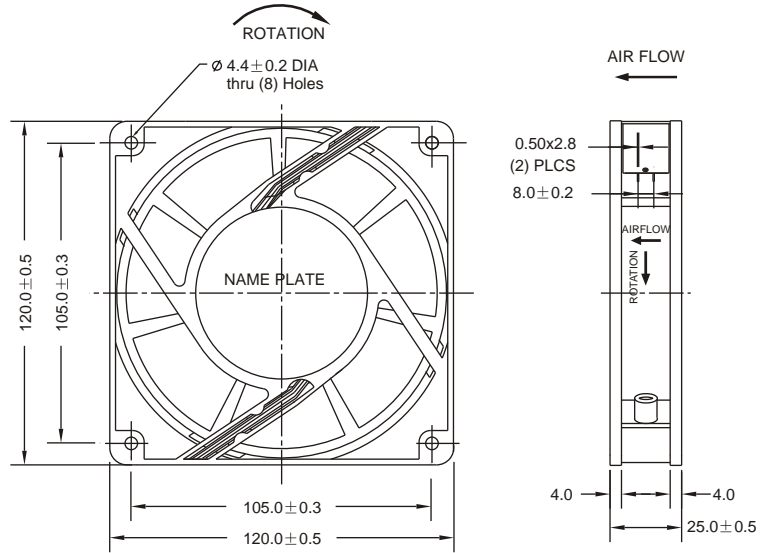
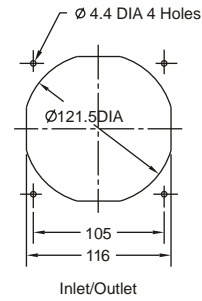


AC 1225 SERIES AXIAL FAN (High Air Flow)

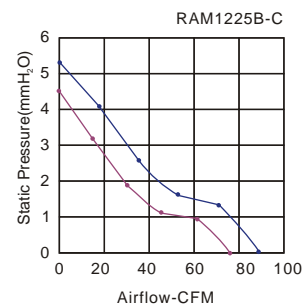
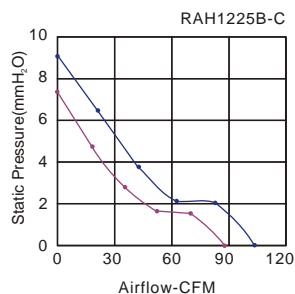
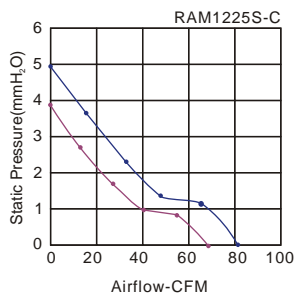
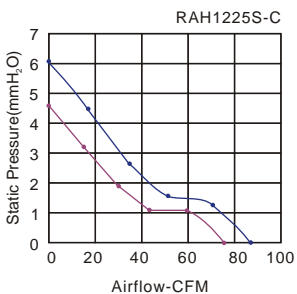


Size: 120mmx120mmx25mm  
 Airflow: 119~175m<sup>3</sup>/hr  
 70~103CFM  
 Weight: 370g  
 Noise: 36~46dBA  
 Impeller: PA6 UL94V-0 Reinforced Plastic  
 Frame: Aluminum Alloy  
 Terminals: 0.5mm  
 Lead Wire: AWG#22 UL 1007  
 (Optional)  
 Motor: Capacitor-Run Induction Motor  
 Safety: UL.CUL.TUV.CE  
 Operation Temperature: -10°C~+55°C



Unit:mm

| Model       | Bearing System | Voltage VAC | Freq. Hz | Current A | Power W | Speed RPM | Noise dBA | Air Flow           |        | Static Pressure (mmH <sub>2</sub> O) | Weight Gram |
|-------------|----------------|-------------|----------|-----------|---------|-----------|-----------|--------------------|--------|--------------------------------------|-------------|
|             |                |             |          |           |         |           |           | M <sup>3</sup> /hr | CFM    |                                      |             |
| RAH1225S1-C | Sleeve         | 220~240     | 50/60    | 0.09/0.09 | 19/20   | 2450/2900 | 38/42     | 129/150            | 76/90  | 4.6/6.2                              | 370         |
| RAM1225S1-C |                | 220~240     | 50/60    | 0.08/0.08 | 18/19   | 2300/2750 | 36/40     | 119/143            | 70/84  | 4.0/5.0                              |             |
| RAH1225S2-C |                | 100~125     | 50/60    | 0.15/0.16 | 18/19   | 2450/2900 | 38/42     | 129/150            | 76/90  | 4.6/6.2                              |             |
| RAM1225S2-C |                | 100~125     | 50/60    | 0.14/0.14 | 17/17   | 2300/2750 | 36/40     | 119/143            | 70/84  | 4.0/5.0                              |             |
| RAH1225B1-C | Ball           | 220~240     | 50/60    | 0.09/0.09 | 19/20   | 2800/3350 | 42/46     | 146/175            | 86/103 | 7.3/9.0                              |             |
| RAM1225B1-C |                | 220~240     | 50/60    | 0.08/0.08 | 18/19   | 2450/2900 | 38/43     | 129/150            | 76/90  | 4.6/5.3                              |             |
| RAH1225B2-C |                | 100~125     | 50/60    | 0.15/0.16 | 18/19   | 2800/3350 | 42/46     | 146/175            | 86/103 | 7.3/9.0                              |             |
| RAM1225B2-C |                | 100~125     | 50/60    | 0.08/0.08 | 18/19   | 2450/2900 | 38/43     | 129/150            | 76/90  | 4.6/5.3                              |             |



Key  
 — 60Hz  
 — 50Hz